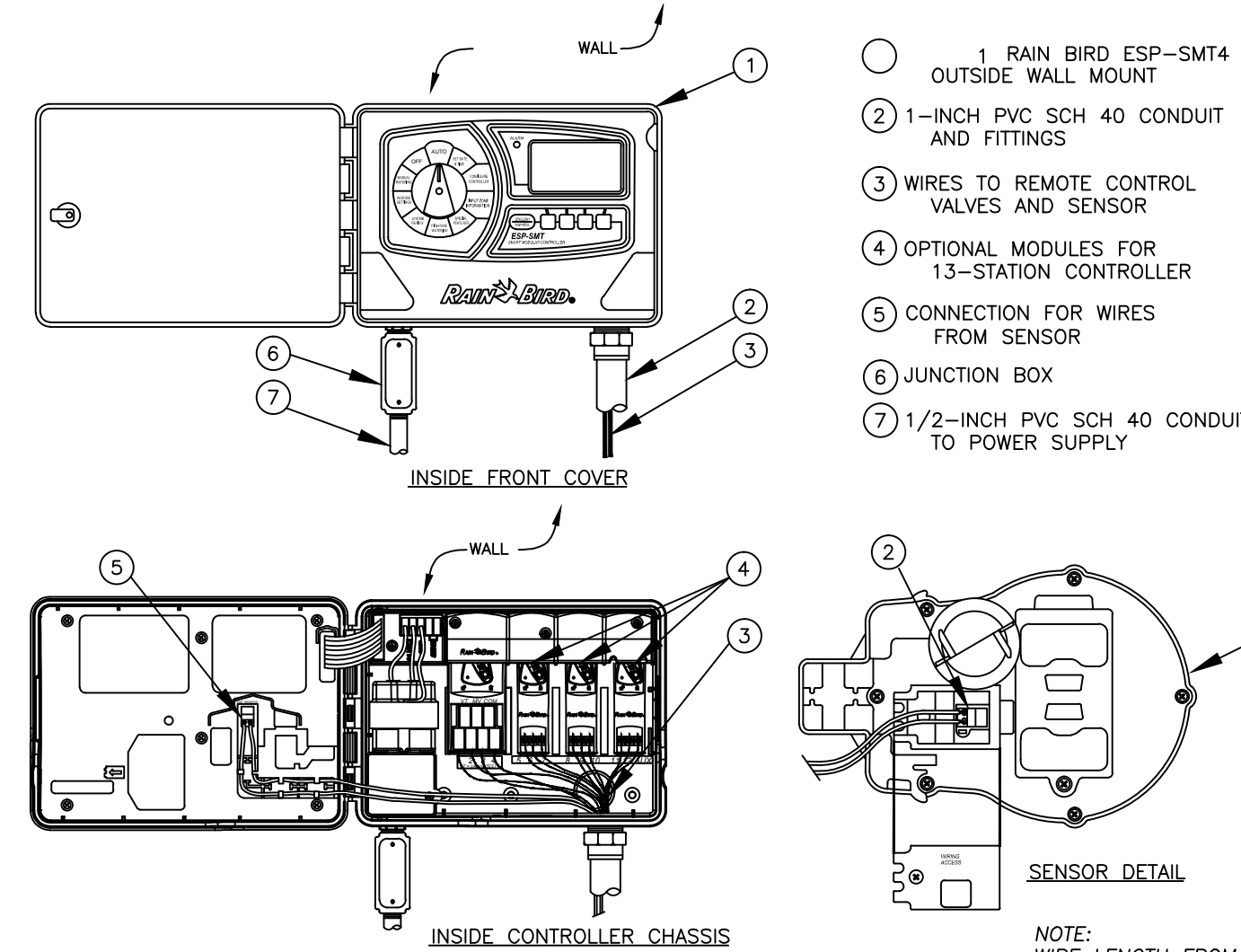
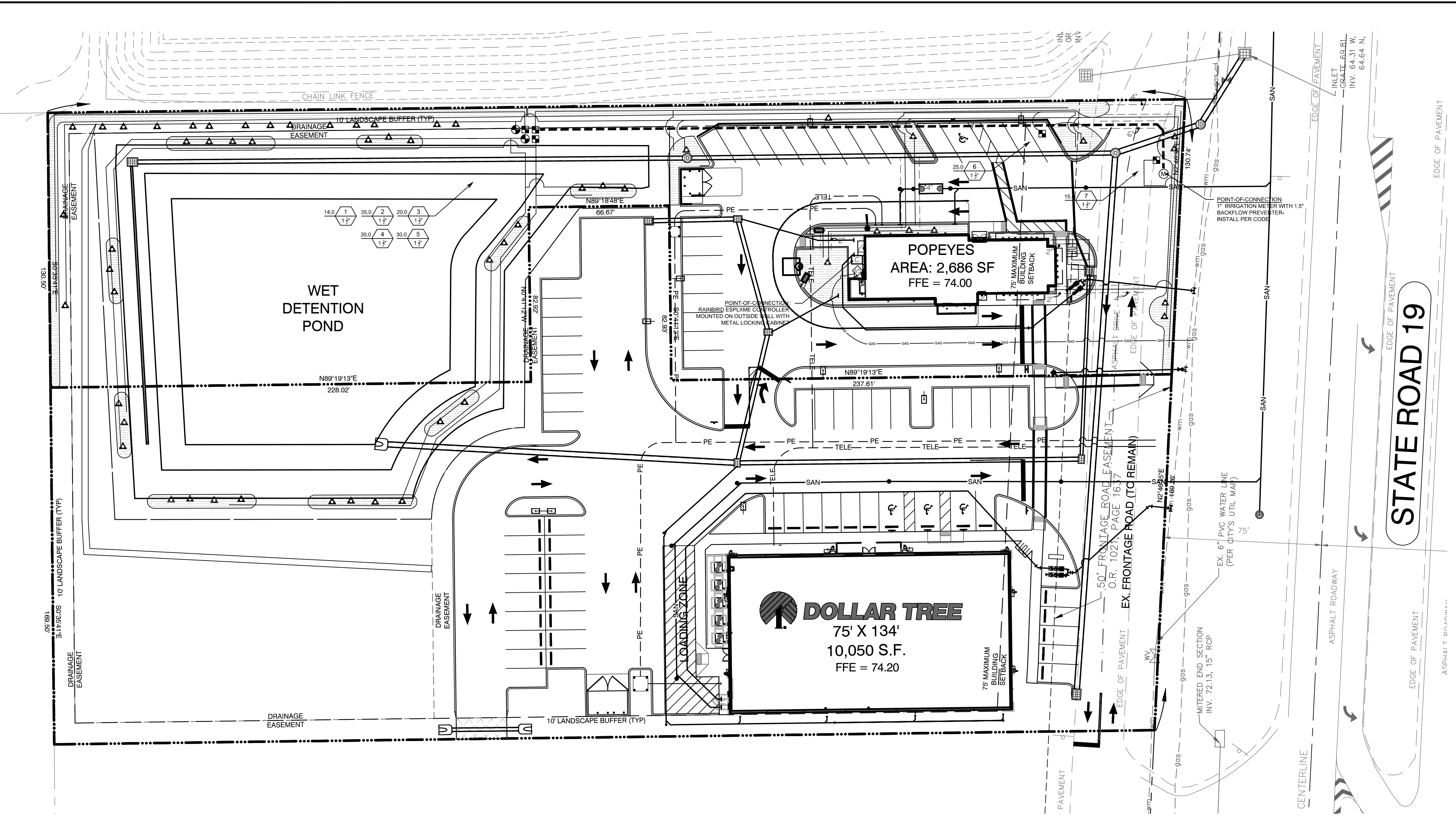


**IRRIGATION SCHEDULE**

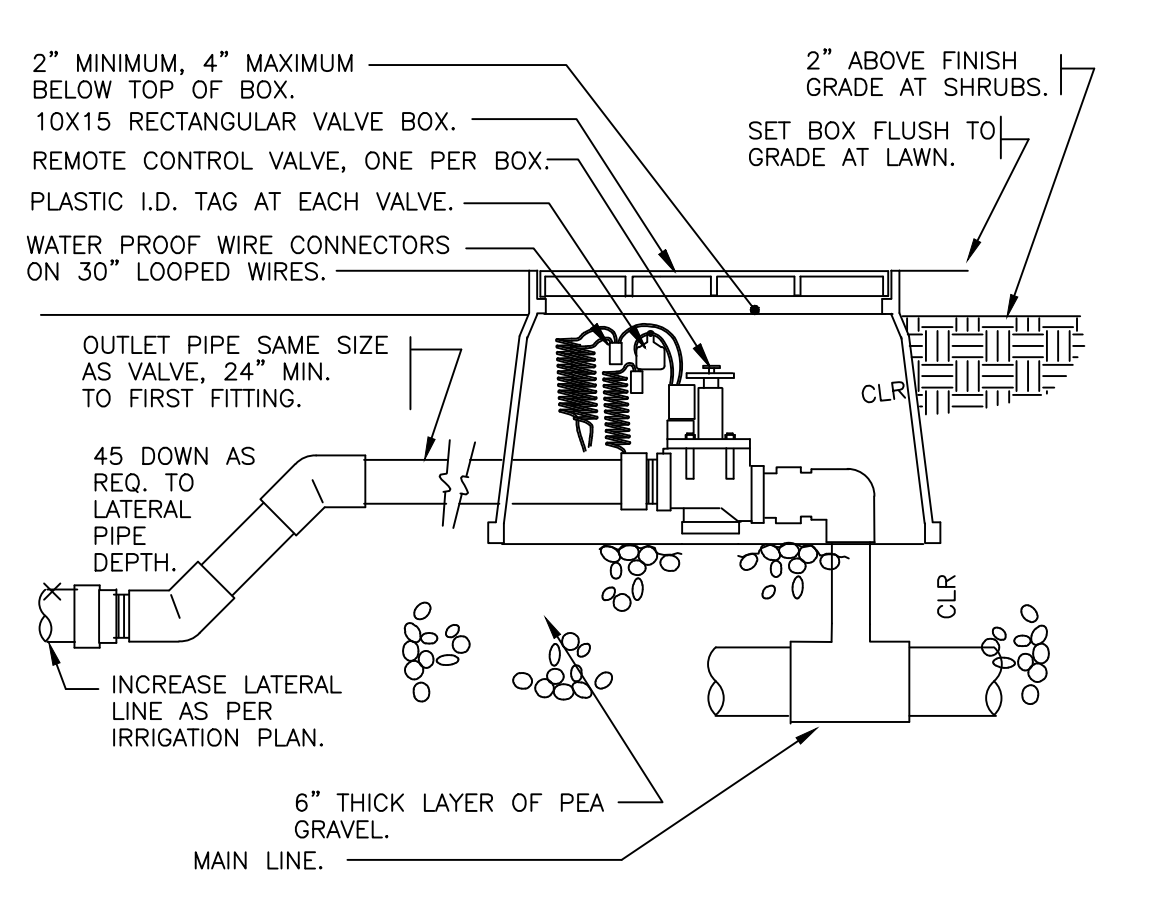
SYMBOL	MANUFACTURER/MODEL/DESCRIPTION	PSI
▲	Rain Bird 1806 15 Strip Series	30
▲	Turf Spray 6.0" Pop-Up Sprinkler with Co-Molded Wiper Seal, Side and Bottom Inlet, 1/2" NPT Female Threaded Inlet.	
□	Rain Bird 1806 8 Series MPR	30
□	Turf Spray 6.0" Pop-Up Sprinkler with Co-Molded Wiper Seal, Side and Bottom Inlet, 1/2" NPT Female Threaded Inlet.	
□	Rain Bird 1806 15 Series MPR	30
□	Turf Spray 6.0" Pop-Up Sprinkler with Co-Molded Wiper Seal, Side and Bottom Inlet, 1/2" NPT Female Threaded Inlet.	
⊙	Rain Bird 1806 ADJ	30
⊙	Turf Spray 6.0" Pop-Up Sprinkler with Co-Molded Wiper Seal, Side and Bottom Inlet, 1/2" NPT Female Threaded Inlet.	
▲	Rain Bird 1806-1400 Flood	30
▲	Flood Bubbler 6.0" popup	
SYMBOL	MANUFACTURER/MODEL/DESCRIPTION	
■	Rain Bird XCV-100-PRB-COM & XCV-150-PRB-COM Zone Control Kit Pre-Assembled Control Zone Kit, with 1" & 1.5" Series 80 Control Valve, 3/4" Disc Filter, and High Flow Pressure Regulator 4.5GPM to 17.6GPM.	
▨	Area to Receive Dripline: Rain Bird XFCV Dripline with heavy duty Chck Valve Techline Pressure Compensating Landscape Dripline with Check Valve, 0.6GPH emitters at 12.0' O.C. Dripline laterals spaced at 12.0' apart, with emitters offset for triangular pattern, 17mm.	
SYMBOL	MANUFACTURER/MODEL/DESCRIPTION	
⊙	Rain Bird PEB-PRS-D 1", 1/2", 2" Plastic Industrial Valves, Low Flow Operating Capability, Globe Configuration, With Pressure Regulator Module.	
□	Rain Bird ESP8XME 8- Station Commercial Controller. Mounted on a locking Plastic Wall Mount.	
◆	Rain Bird WR2-RFC Wireless Rain and Freeze Sensor Combo, includes 1 receiver and 1 rain/freeze sensor transmitter.	
M	Point-of-Connection: 1" Irrigation Meter with 1.5" Backflow Preventer- install per code	
—	Irrigation Lateral Line: PVC Class 200 SDR 21 PVC Class 200 irrigation pipe.	
—	Irrigation Mainline: 1 1/2" PVC Schedule 40 PVC Schedule 40 irrigation pipe.	
—	Pipe Sleeve: PVC Class 200 SDR 21	
—	Valve Callout: Valve Number Valve Flow Valve Size	

**IRRIGATION GENERAL NOTES:**

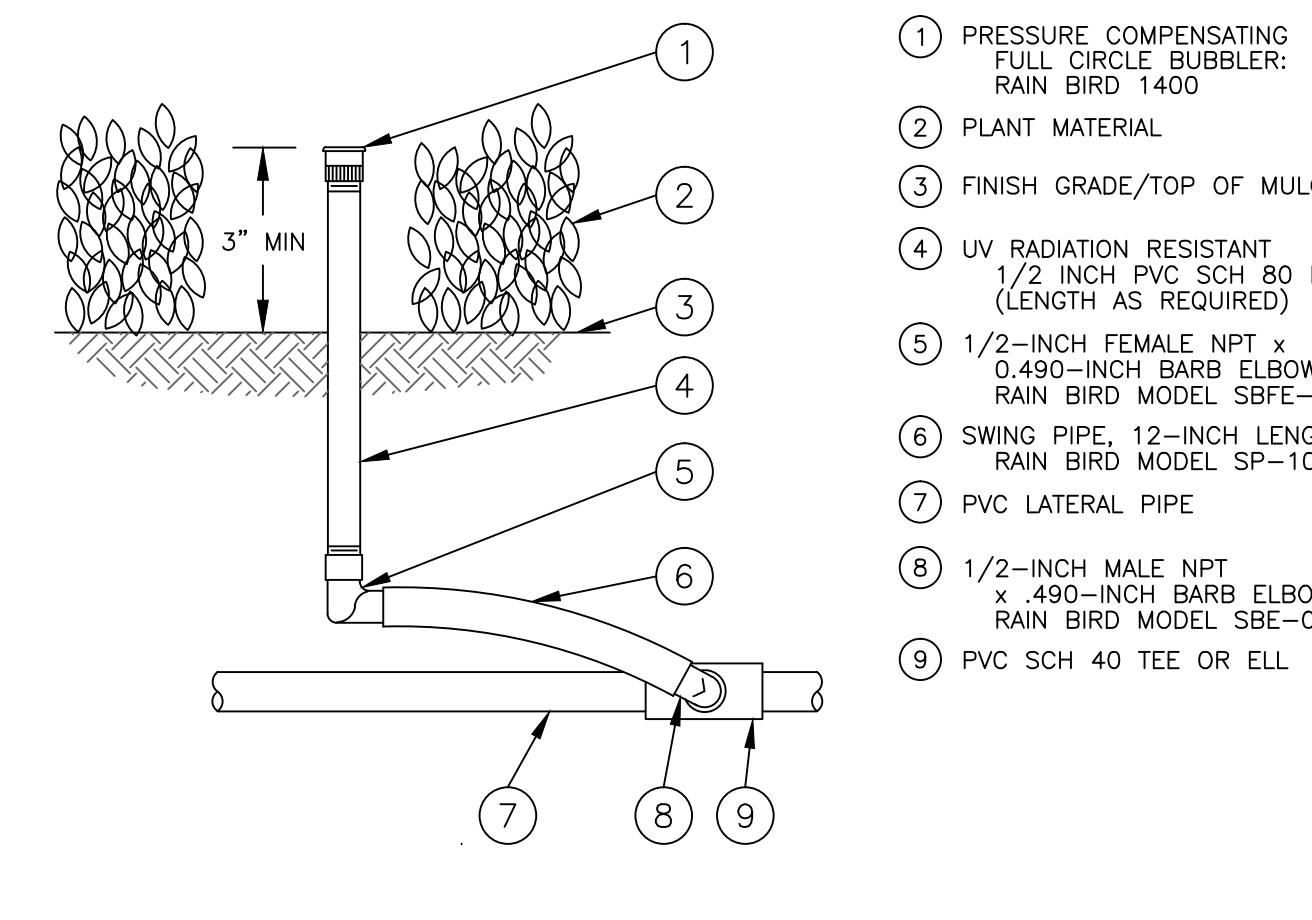
- VERIFY LOCATIONS OF ALL UNDERGROUND UTILITIES PRIOR TO INSTALLATION OF IRRIGATION SYSTEM. ALL UTILITIES AND STRUCTURES MAY NOT BE SHOWN ON THESE PLANS-CONTRACTOR SHALL VERIFY.
- INSTALLATION OF WORK SHALL BE COORDINATED WITH OTHER CONTRACTORS IN SUCH A MANNER AS TO ALLOW FOR A SPEEDY AND ORDERLY COMPLETION OF ALL WORK ON-SITE.
- IRRIGATION DESIGN IS SCHEMATIC ONLY. FULL AND COMPLETE SHOP DRAWINGS SHALL BE SUBMITTED FOR REVIEW BY THE OWNER'S REPRESENTATIVE.
- ALL QUANTITIES AND CALCULATIONS ARE SCHEMATIC ONLY. CONTRACTOR SHALL BE RESPONSIBLE FOR VERIFICATION OF FINAL QUANTITIES AND CALCULATIONS TO ENSURE SYSTEM IS FULLY OPERATIONAL.
- CONTRACTOR SHALL PROVIDE 'AS-BUILT' DRAWINGS OF THE FINAL INSTALLATION TO OWNER AT SUBSTANTIAL COMPLETION BEFORE RECEIVING FINAL PAYMENT.
- IRRIGATION CONTRACTOR SHALL BE RESPONSIBLE FOR PROVIDING ADEQUATE POWER SUPPLY TO ELECTRIC CONTROLLERS.
- IRRIGATION CONTRACTOR SHALL SECURE ANY AND ALL NECESSARY PERMITS FOR THE WORK PRIOR TO COMMENCEMENT OF HIS OPERATIONS ON-SITE. COPIES OF THE PERMITS SHALL BE SENT TO THE OWNER/GENERAL CONTRACTOR, WORK IN THE R.O.W. SHALL CONFORM TO THE STANDARDS AND SPECIFICATIONS OF LOCAL AND/OR STATE JURISDICTION.
- ALL COMPONENTS OF THE IRRIGATION SYSTEM SHALL BE PURPLE AS MANUFACTURED FOR EFFLUENT DISTRIBUTION. THIS SHALL INCLUDE AT A MINIMUM PURPLE PIPE, PURPLE AUTOMATIC VALVES, PURPLE VALVE LID COVERS, AND PURPLE HEAD COVERS.
- LOCATE ALL COMPONENTS WITHIN LANDSCAPED AREAS WHENEVER POSSIBLE. ALL LINES UNDER PAVEMENT MUST BE SLEEVED. MAINLINE SHALL NOT BE LOCATED WITHOUT PRIOR APPROVAL OF THE OWNER'S REPRESENTATIVE.
- THE IRRIGATION CONTRACTOR SHALL BE DIRECTLY RESPONSIBLE FOR SLEEVING AND DIRECTIONAL BORES.
- ALL SLEEVES UTILIZED BY THE IRRIGATION CONTRACTOR WHETHER INSTALLED BY HIM OR NOT, SHALL BE LOCATED ON THE 'AS-BUILT' DRAWINGS. THE DEPTH BELOW FINISH GRADE, TO THE NEAREST FOOT OF EACH END OF THE SLEEVE SHALL BE NOTED AT EACH SLEEVE LOCATION ON THE 'AS-BUILT' DRAWINGS. ALL SLEEVES ON PLAN FOR WALL PENETRATIONS AND UNDER SIDEWALKS SHALL BE SIZED TWO PIPE SIZES GREATER THAN THE PIPE IT CARRIES.
- ALL PRESSURIZED MAINLINES UNDER ASPHALT PAVEMENT SHALL BE WITHIN SLEEVES AS NOTED. WHERE ELECTRIC OR HYDRAULIC VALVE CONTROL LINES PASS THROUGH A SLEEVE WITH OTHER MAIN OR LATERAL LINES THEY SHALL BE CONTAINED WITHIN A SEPARATE, SMALLER CONDUIT.
- SLEEVES UNDER EXISTING PAVEMENT MUST BE DIRECTIONAL BORE. OPEN CUT IS NOT AN OPTION.
- NUMBER THE TOP OF ALL VALVE BOX LIDS WITH MINIMUM 1" HEIGHT BLACK LETTERS TO CORRESPOND TO AUTOMATIC AND GATE VALVE DESIGNATIONS. ALL HOSE BIBB VALVE BOXES SHALL BE LABELED IN A SIMILAR MANNER WITH THE DESIGNATION 'HB'. LETTER OUTSIDE OF TIMELOCK CABINETS TO CORRESPOND WITH IRRIGATION CLOCK PROGRAM DESIGNATION.
- THE IRRIGATION CONTRACTOR SHALL INSTALL A COLOR CODED METAL DETECTABLE MARKING TAPE WHICH CLEARLY NOTES: 'CAUTION: IRRIGATION LINE BURIED BELOW.' THE TAPE SHALL BE INSTALLED THE FULL LENGTH OF THE IRRIGATION MAINLINE.
- ALL VALVES, SPICES WITHIN CONTROL LINES, AND QUICK COUPLERS SHALL BE LOCATED WITHIN NDS VALVE BOXES AS FOLLOWS: RECTANGULAR 12"X17" HEAVY DUTY BOX WITH PURPLE COVER FOR REUSE.
- ALL IRRIGATION HEADS/DRIIP TUBING SHALL BE LOCATED TWO (2) FEET FROM BACK OF CURB WHEN NEXT TO A ROADWAY.
- LOCATE ALL VALVES IN PLANTING BEDS WITH A MINIMUM OF 3'-0" FROM BACK OF CURB OR EDGE OF PAVEMENT. UNLESS OTHERWISE NOTED, PIPE SIZES ON EITHER SIDE OF SECTION VALVES CONNECTING MAINLINE TO SECTION LATERAL SHALL BE ONE (1) PIPE SIZE LARGER THAN VALVE SIZE.
- IRRIGATION CONTRACTOR TO COORDINATE WITH OWNER FOR CONTROLLER LOCATIONS.
- CONTRACTOR SHALL CONFIRM EXISTING CONDITIONS AND VERIFY PERFORMANCE OF EXISTING RAIN SENSOR WITH AUTOMATIC SHUTOFF DEVICE. CONTRACTOR SHALL REPAIR AND REPLACE IF NECESSARY. COORDINATE WITH OWNER'S REPRESENTATIVE.
- ALL UNIMPROVED AREAS DISTURBED DURING CONSTRUCTION SHALL BE RESTORED TO THEIR ORIGINAL CONDITION BY CONTRACTOR.
- ALL CONTROL WIRE SHALL BE INSTALLED IN A 1 1/2" ELECTRICAL CONDUIT.



**1 ESP-SMT SMART CONTROL SYSTEM**  
NOT TO SCALE



**2 ELECTRIC REMOTE CONTROL VALVE**  
NOT TO SCALE



**3 PRESSURE COMPENSATING FULL-CIRCLE BUBBLER**  
NOT TO SCALE

ALPHA PACIFICA LLC  
LANDSCAPE ARCHITECTURE + PLANNING  
605 E. HOBSON STREET, SUITE 200, ORLANDO, FLORIDA 32801 (407) 308-8888 OFFICE | ALPHA@ALPHAFLORIDA.COM

DATE: 05/20/19 BW  
REVISIONS: No.  
BY: [Signature]

SCALE AS NOTED  
DESIGNED BY: GR  
DRAWN BY: BW  
CHECKED BY: GR

IRRIGATION PLAN

POPEYES  
SWC CR 44 & SR 19

FLORIDA  
CITY OF EUSTIS

DATE: 11/02/18  
PROJECT NO.:  
SHEET NUMBER: LA-4

811 KNOW WHAT'S BELOW ALWAYS CALL 811 BEFORE YOU DIG  
It's fast. It's free. It's the law.  
www.callsunshine.com